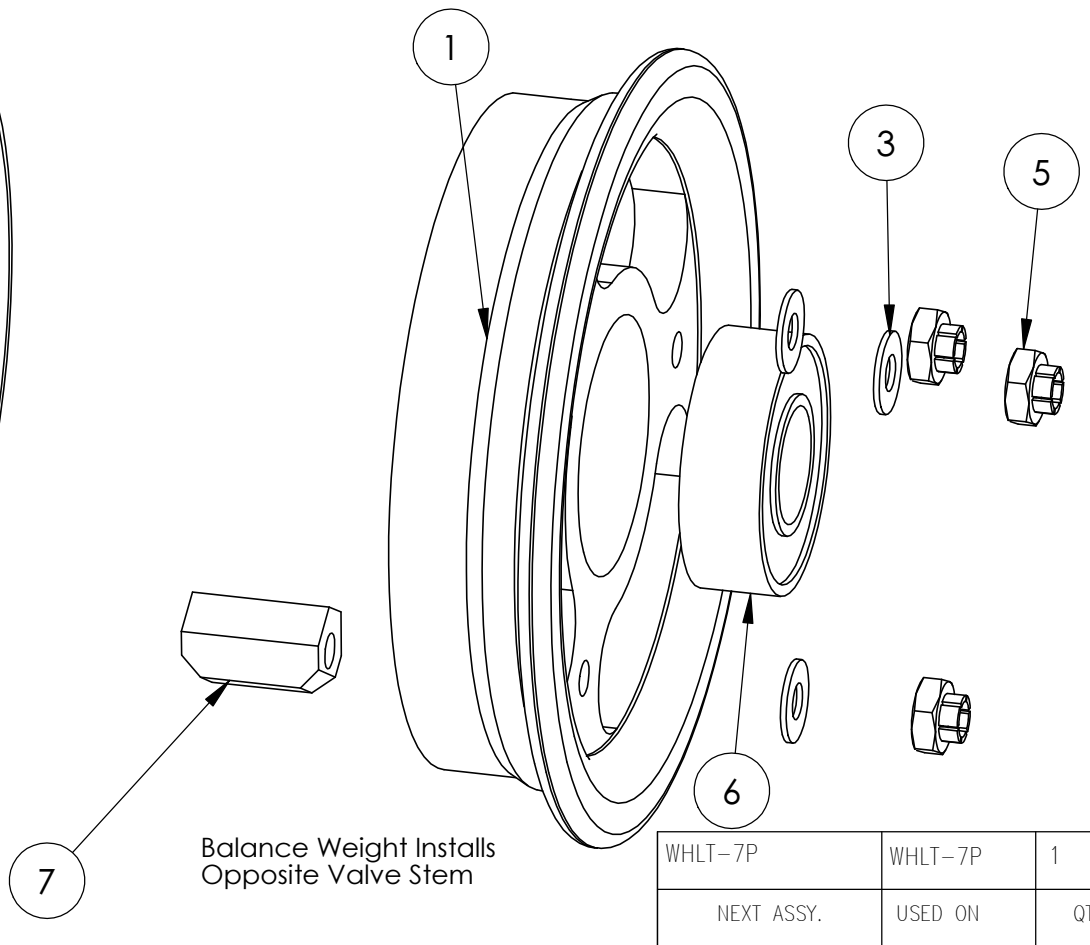
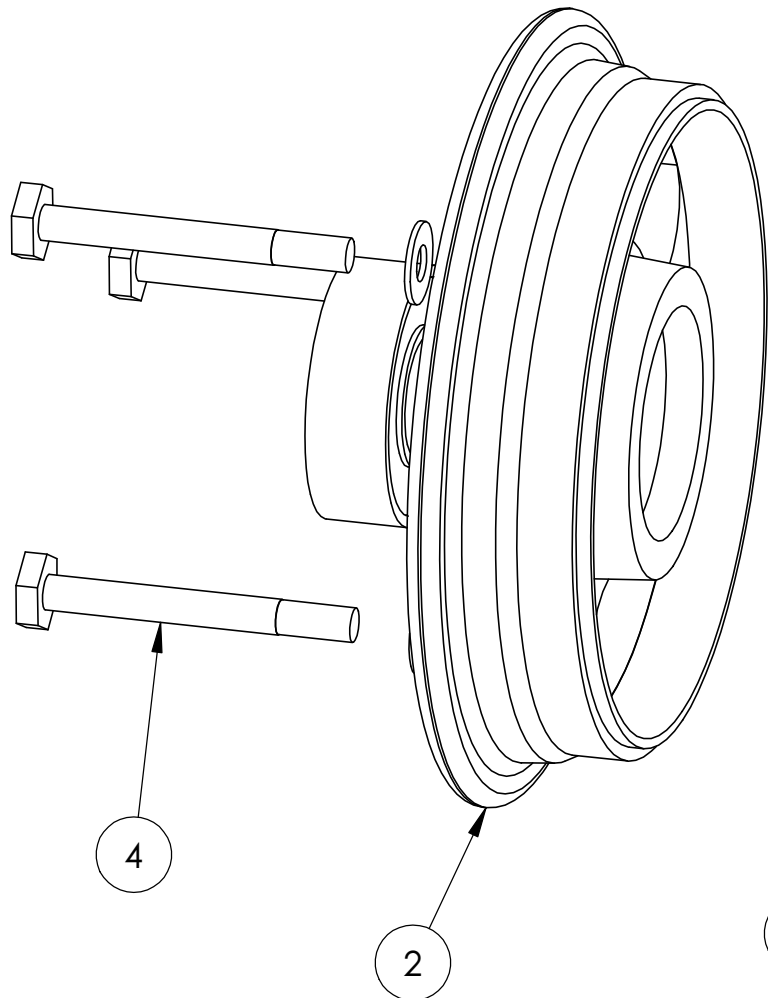
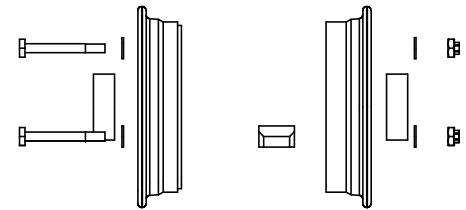


ITEM #	Part Number	Description	QTY.
1	WHLW37/.625	WHEL HALF, TAIL VALVE	1
2	WHLTW37/.625	WHEEL HALF, TAIL BACK	1
3	MSCAN960-10L	WASHER, THIN	6
4	MSCAN3-15A	BOLT, HEX	3
5	MSCMS21045-3	NUT, FLEX LOCK	3
6	MSC1623DCTN	Bearing, Ball 0.625	2
7	TW35WGT	WEIGHT, BALANCE	1



WHLT-7P	WHLT-7P	1
NEXT ASSY.	USED ON	QTY
APPLICATION		

MATCO mfg



2361 S. 1560 West
Woods Cross, Utah 84087 USA

NOMENCLATURE
WHEEL, TAIL 3.7"

PART NUMBER
WHLTW37

SCALE
1:1

TOLERANCES
(EXCEPT AS NOTED)

DRAWN BY
George R. Happ

FINISH
None

DATE
12/15/2008

DRAWING NO.
TAIL/TW37

CHECKED BY

REVISION
NC

Est Wt. (lb)
0.92

DO NOT SCALE DRAWING
LINEAR .XX = + .03
.XXX = + .01
ANGULAR + 1/2
CONCENTRIC + .01

SHEET 1 OF 1
SHEET SIZE A