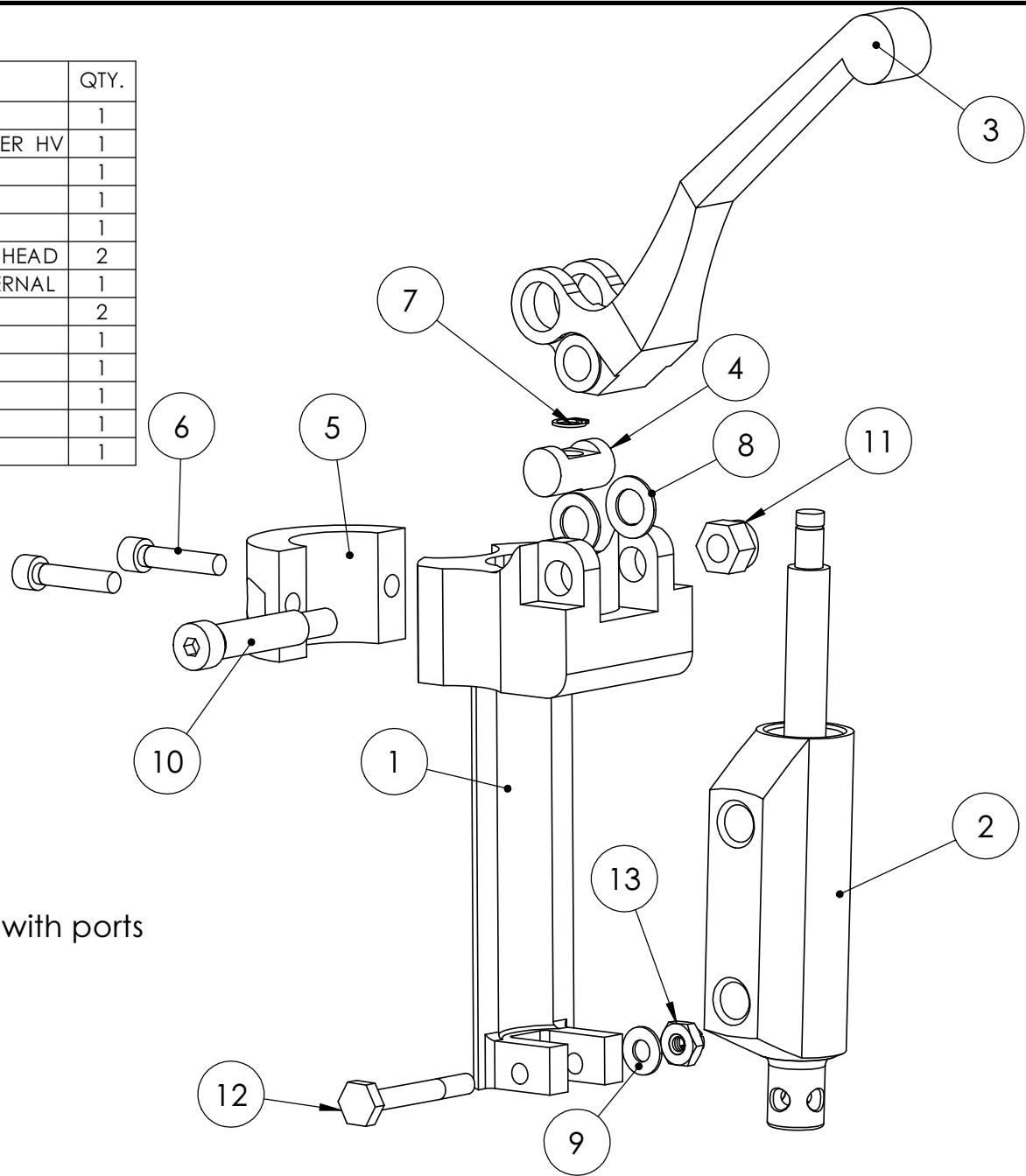


| ITEM # | Part Number | Description | QTY. |
|--------|----------------------|---------------------|------|
| 1 | MC10YOKE | YOKE, MC-10 | 1 |
| 2 | MC-10SHV | CYLINDER, MASTER HV | 1 |
| 3 | MC7-L | LEVER, MC-7 | 1 |
| 4 | MC7-PPIN | PIN, PIVOT | 1 |
| 5 | MC6-2 | CLAMP | 1 |
| 6 | MSC10-24x.875SHCS(A) | SCREW, SOCKET HEAD | 2 |
| 7 | MSC5100-25 | RING, SNAP EXTERNAL | 1 |
| 8 | MSCAN960-516L | WASHER, AN960 | 2 |
| 9 | MSCAN960-10L | WASHER, AN960 | 1 |
| 10 | MSC.31-18X1.25SHSB | BOLT, SHOULDER | 1 |
| 11 | MSC.25-20NYLOCK | NUT, NYLOCK | 1 |
| 12 | MSCAN3-13A | BOLT, HEX | 1 |
| 13 | MSCMS21045-3 | NUT, FLEX LOCK | 1 |



NOTE:
Cylinder (#2) may be oriented with ports
left, right, or forward

MATCO mfg



550W 3615 South
Salt Lake City, Utah 84115 USA

NOMENCLATURE
CYLINDER, HAND OPERATED

PART NUMBER
MC-10

SCALE
1:1.5

TOLERANCES
(EXCEPT AS NOTED)

MATERIAL
VARIES

DRAWING NO.
MASTER/MC-10 ASY

REVISION
NC

Est Wt. (lb)
0.83

DO NOT SCALE DRAWING

LINEAR .XX = + .03

.XXX = + .01

ANGULAR + 1/2

CONCENTRIC + .01

DRAWN BY
George R. Happ

FINISH
-

DATE
8/23/2017

CHECKED BY

SHEET 1 OF 1

SHEET SIZE A