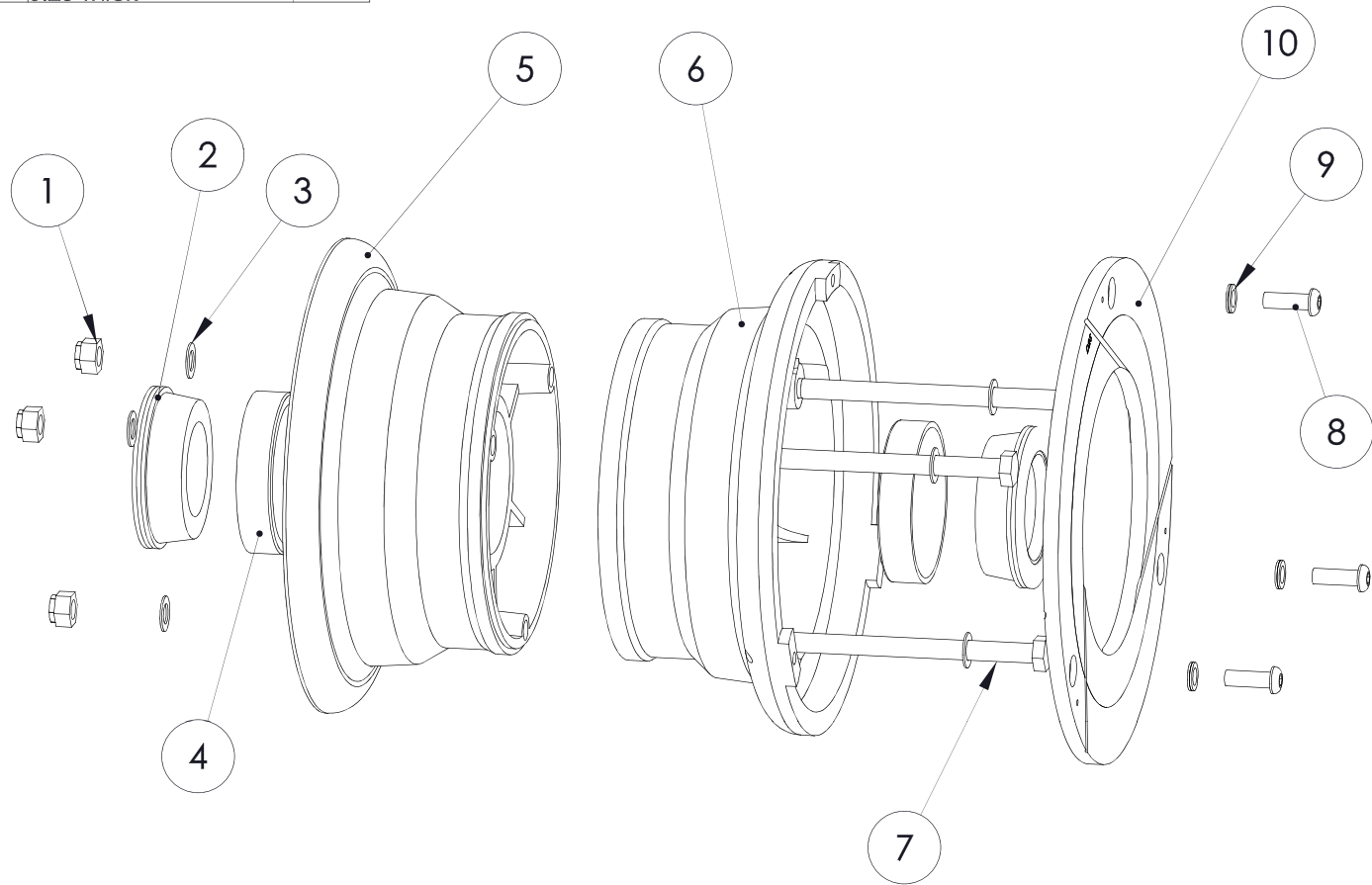


ITEM #	Part Number	Description	QTY.
1	MSCAN363-528	NUT, LOCKING AN363	3
2	WHLLM29700LA	BEARING, TAPERED ROLLER 1.50	2
3	MSCAN960-516L	WASHER, AN960	6
4	WHLLM29710	RACE, TAPERED ROLLER 1.50	2
5	WHLWE600/1.50	WHEEL HALF, E VALVE 6"	1
6	WHLB600/1.50	WHEEL HALF, BRAKE 6"	1
7	MSCAN5-45A	BOLT, HEX	3
8	MSC.25-20X.75BHCS	SCREW, BUTTON HEAD	3
9	MSCNL1/4	WASHER SET, NORLOC	3
10	WHLD2S(A)	DISC, BRAKE 6 INCH 0.25 Thick	1



**MATCO mfg**

2361 S 1560 West  
Woods Cross, UT 84087 USA



NOMENCLATURE  
WHEEL, W600S

MATERIAL  
VARIES

PART NUMBER  
WHLW600S

DRAWING NO.  
WHEEL/3D-W600S Wheel & Disc

REVISION  
NC

SCALE  
1:3

Est Wt. (lb)  
8.75

TOLERANCES  
(EXCEPT AS NOTED)

DO NOT SCALE DRAWING  
 LINEAR .XX = + .03  
 .XXX = + .01  
 ANGULAR ± 1/2  
 CONCENTRIC ± .01

DRAWN BY  
George R. Happ

FINISH

DATE  
7/12/2012

CHECKED BY

SHEET 1 OF 1  
SHEET SIZE A