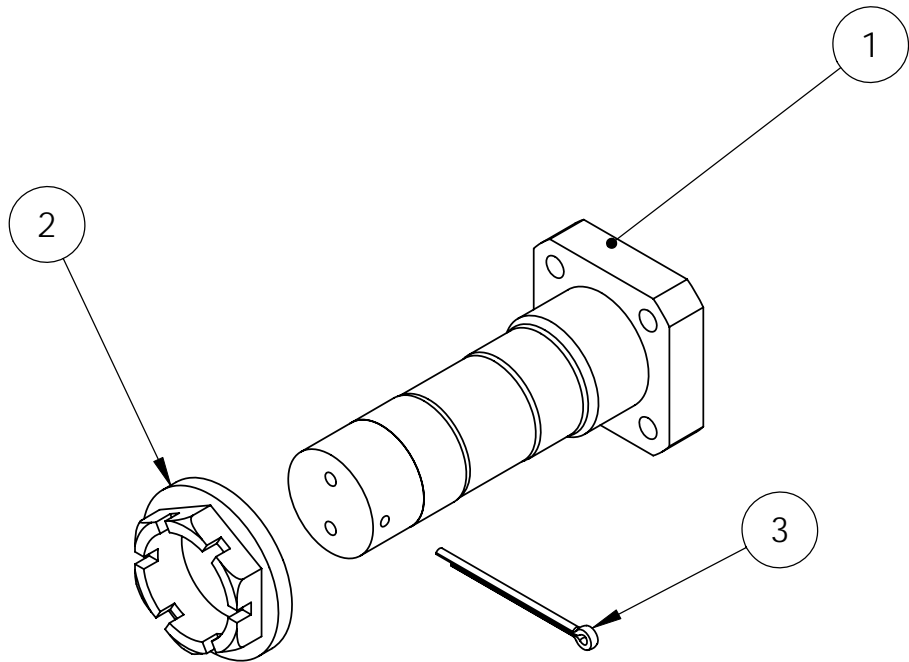


ITEM #	Part Number	Description	QTY.
1	WHLA3A	AXLE, A3A	1
2	WHLAN1H	NUT, HEX LOCKING AXLE	1
3	MSC.11x2COTTERPIN	PIN, COTTER ZINC	1



**MATCO mfg**



2361 S 1560 West  
Woods Cross, UT 84087 USA

NOMENCLATURE  
ASSEMBLY, AXLE3A

MATERIAL  
VARIES

PART NUMBER  
WHLAXLE3A

DRAWING NO.  
AXLE/WHAXLE3A

SCALE  
1:2

REVISION  
A

Est Wt. (lb)  
0.74

TOLERANCES  
(EXCEPT AS NOTED)

DO NOT SCALE DRAWING

LINEAR .XX = + .03  
.XXX = + .01

ANGULAR ± 1/2  
CONCENTRIC ± .01

DRAWN BY  
George R. Happ

FINISH

DATE  
10/15/2011

CHECKED BY

SHEET 1 OF 1  
SHEET SIZE A