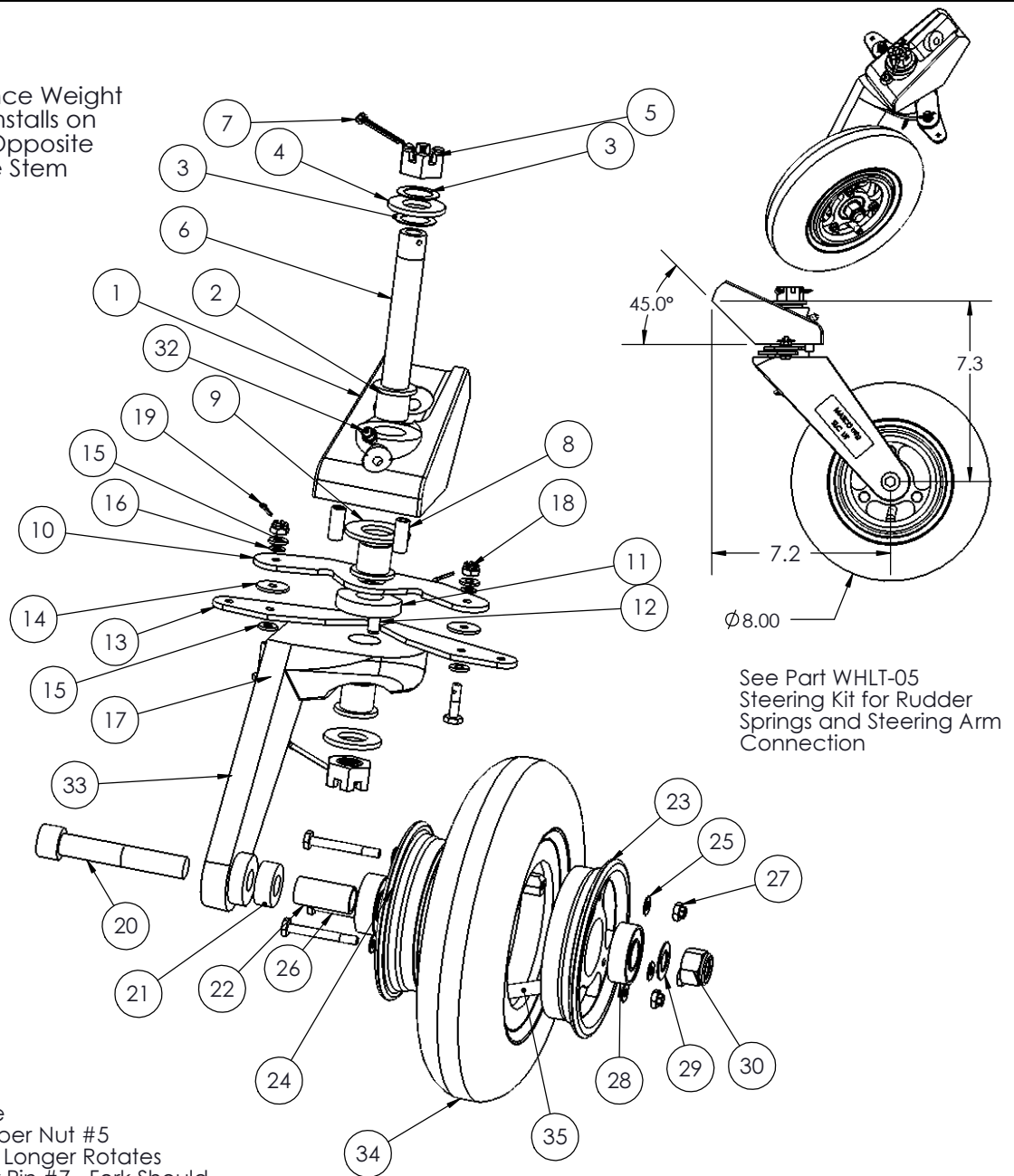


ITEM #	Part Number	Description	QTY.
1	WHLTWBL	BASE, TAIL WHEEL	1
2	WHLTW-19	BUSHING, HAT	3
3	MSCU625-0210	WASHER, CURVED	2
4	MSC.625SAE	WASHER, 5/8	2
5	MSC.62-18HEXNUT/SL	NUT, HEX SLOTTED	2
6	MSC.62-18X4.35(A)	AXLE, VERTICAL TAILWHEEL	1
7	MSC.11x1.5COTTERPI	PIN, COTTER ZINC	2
8	WHLBSP4	SPACER, 4" /UL BRAKE	2
9	WHLTW-4	WASHER, BRONZE	1
10	WHLT-02	ARM, TAIL WHEEL	1
11	WHLTW-21	BUSHING	1
12	MSC.25-20x.50SHCS	BOLT, SHCS .25-20X.50	1
13	WHLT-03	Wing, Tail Wheel	2
14	MSC.750x.190x.062W	WASHER, BRONZE	2
15	MSCAN960-10	WASHER, THICK	4
16	MSCB0375-020	WASHER, BELLEVILLE	2
17	MSCAN3-6	BOLT, HEX DRILLED	2
18	MSCAN310-3	NUT, CASTLE	2
19	MSC.0625X.50COTTER	PIN, COTTER ZINC	2
20	MSC.50-13X3.0SHCS(A)	BOLT, SHCS .50-13x3.0 PLATED	1
21	WHLTW-3	SPACER, TAIL WHEEL	1
22	WHLT6SL	SLEEVE, TAIL T-6P	1
23	WHLW37/.625	WHEL HALF, TAIL VALVE	1
24	WHLTW37/.625	WHEEL HALF, TAIL BACK	1
25	MSCAN960-10L	WASHER, THIN	6
26	MSCAN3-15A	BOLT, HEX	3
27	MSCMS21045-3	NUT, FLEX LOCK	3
28	MST623DCTN	Bearing, Ball 0.625	2
29	MSCAN960-816L	WASHER	1
30	MSC.50-13NYLOCK	NUT, NYLOCK	1
31	TW35WGT	WEIGHT, BALANCE	1
32	MSCMC7-4	FITTING, GREASE	1
33	WHLTW-8F	FORK, CANTILEVER 8"	1
34	TIRT200x50	TIRE, 200x50	1
35	TIRTU200x50	TUBE, 200x50	1

Balance Weight #34 Installs on #27 Opposite Valve Stem



Note: Alternate Wing Available to Provide Earlier Steering Release. Release with Standard WHLT-03 = +/- 45 Deg Release with Optional WHLT-03A = +/- 25 Deg (May be Hand Ground to Release from 25 to 50 Deg)

TO SET PRELOAD IN VERTICAL AXLE #6: Be certain #3 Springs Are Installed. Seat Lower Nut #5 Fully & Insert Cotter Pin #7. Tighten Upper Nut #5 Slowly Until All Freeplay of Springs #3 are removed and Fork #17 No Longer Rotates Freely. Loosen Upper Nut #5 2-3 Locking Features and Install Cotter Pin #7. Fork Should Rotate Freely Around Complete Rotation.

**MATCO mfg**



2361 S 1560 WEST  
WOODS CROSS, UT 84087

NOMENCLATURE  
TAIL WHEEL, 8" LIGHT WEIGHT

PART NUMBER  
WHLT-8L

SCALE  
1:4

TOLERANCES  
(EXCEPT AS NOTED)  
DO NOT SCALE DRAWING  
LINEAR .XX = + .03  
.XXX = + .01  
ANGULAR + 1/2  
CONCENTRIC + .01

DRAWN BY  
George R. Happ

FINISH  
VARIES

DATE  
6/15/2015

DRAWING NO.  
TAIL/3D-T8L

REVISION  
A

Est Wt. (lb)  
5.84

CHECKED BY

SHEET 1 OF 1

SHEET SIZE A