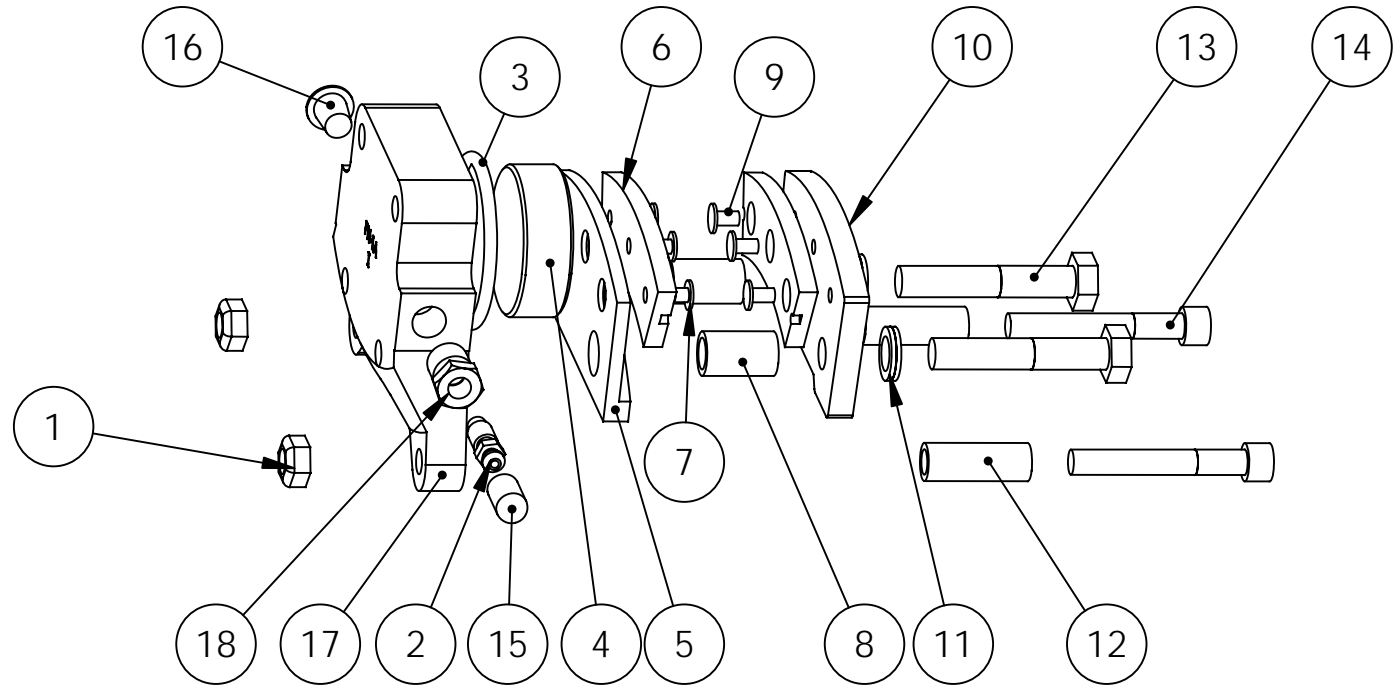
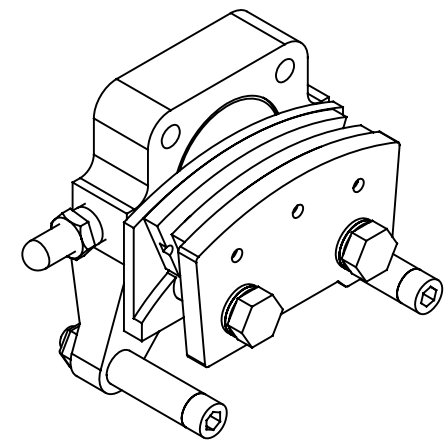


ITEM #	Part Number	Description	QTY.
1	MSC.25-20CRLOCK	NUT, CRLOCK	2
2	MSCF6446-007	VALVE, BLEEDER	1
3	MSC2-222	O-RING, BUNA -N	1
4	WHLPI-1	PISTON	1
5	WHLMBSI5	PLATE, I SERIES MOVEABLE BRAKE	1
6	WHLM66-106	LINING, BRAKE M66-106	2
7	MSC4-4	RIVET, SEMI-TUBULAR	3
8	WHLBSPi600	SPACER, STAINLESS TUBULAR	2
9	MSC4-6	RIVET, SEMI-TUBULAR	3
10	WHLBSI5	SHOE, STATIONARY BRAKE I SERIES	1
11	MSCNL8	WASHER SET, NORLOC	2
12	WHLBSP6	SPACER, STAINLESS TUBULAR	2
13	MSC.31-18X1.75HHBOLT	BOLT, HEX	2
14	MSC.25-20X1.75SHCS	SCREW, SOCKET HEAD	2
15	MISC.234-X.50IL	CAP, DUST	1
16	MSC2X	PLUG, CAP	1
17	WHLPH-1AI	HOUSING, CALIPER PH-1AI	1
18	MSCBBS(A)	SEAT, BRAKE BLEEDER	1



**MATCO mfg**



2361 S 1560 West  
Woods Cross, UT 84087 USA

NOMENCLATURE  
ASSY, BRAKE 5" I SERIES

PART NUMBER  
WHLBI5

SCALE  
1:2

TOLERANCES  
(EXCEPT AS NOTED)

DRAWN BY  
George R. Happ

FINISH

DATE  
4/21/2008

CHECKED BY

SHEET 1 OF 3  
SHEET SIZE A

DO NOT SCALE DRAWING  
LINEAR .XX = + .03  
.XXX = + .01  
ANGULAR ± 1/2  
CONCENTRIC ± .01

MATERIAL  
VARIES

DRAWING NO.  
BRAKE/3D-BI5

REVISION  
NC

Est Wt. (lb)  
1.22