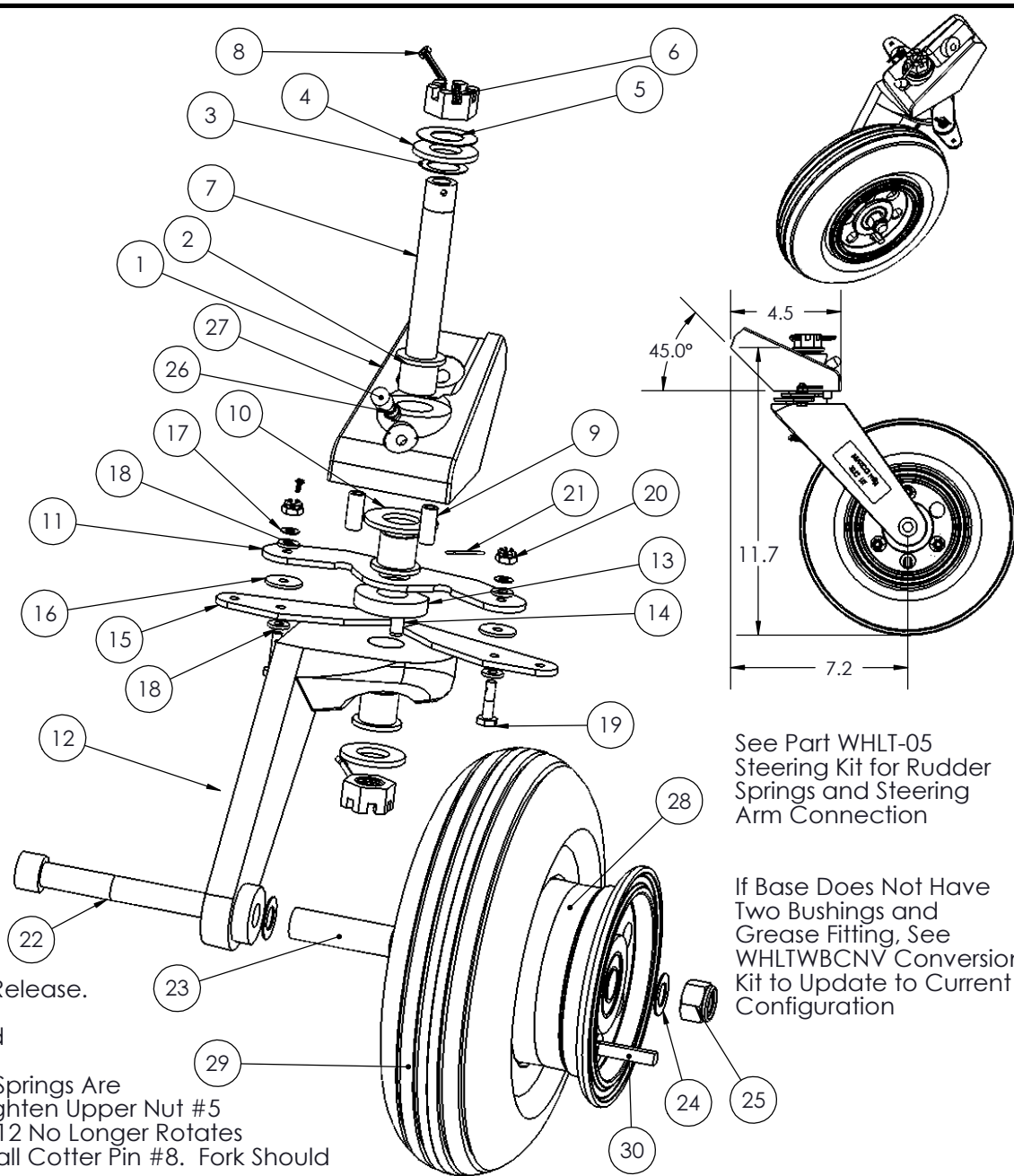


ITEM #	Part Number	Description	QTY.
1	WHLTWBL	BASE, TAIL WHEEL	1
2	WHLTW-19	BUSHING, HAT	3
3	MSCU625-0210	WASHER, CURVED	1
4	MSC.625SAE	WASHER, 5/8	2
5	MSCU321608	WASHER, BELLEVILLE	1
6	MSC.62-18HEXNUT/SL	NUT, HEX SLOTTED	2
7	MSC.62-18X4.35(A)	AXLE, VERTICAL TAILWHEEL	1
8	MSC.11x1.5COTTERPI	PIN, COTTER ZINC	2
9	WHLBSP4	SPACER, 4"/UL BRAKE	2
10	WHLTW-4	WASHER, BRONZE	1
11	WHLT-02	ARM, TAIL WHEEL	1
12	WHLTW-8F	FORK, CANTILEVER 8"	1
13	WHLTW-21	BUSHING	1
14	MSC.25-20x.50SHCS	BOLT, SHCS .25-20X.50	1
15	WHLT-03	Wing, Tail Wheel	2
16	MSC.750x.190x.062W	WASHER, BRONZE	2
17	MSCB0375-020	WASHER, BELLEVILLE	2
18	MSCAN960-10	WASHER, THICK	4
19	MSCAN3-6	BOLT, HEX DRILLED	2
20	MSCAN310-3	NUT, CASTLE	2
21	MSC.0625X.50COTTER	PIN, COTTER ZINC	2
22	MSC.50-13x3.50SHCS	SCREW, SOCKET HEAD	1
23	WHLT8SL	SPACER, T8SL	1
24	MSCAN960-816L	WASHER	2
25	MSC.50-13NYLOCK	NUT, NYLOCK	1
26	MSCMC7-4	FITTING, GREASE	1
27	MSCVC-250-8	COVER, BLEEDER BLK	1
28	WHLTW40EE	ASSEMBLY, 4" TW	1
29	TIRT2.80/2.50-4	TIRE, 2.80/2.50-4	1
30	TIRTU2.80-4	TUBE, 2.80/2.50-4	1



See Part WHLT-05
Steering Kit for Rudder
Springs and Steering
Arm Connection

If Base Does Not Have
Two Bushings and
Grease Fitting, See
WHLTWBCNV Conversion
Kit to Update to Current
Configuration

Note: Alternate Wing Available to Provide Earlier Steering Release.

Release with Standard WHLT-03 = +- 45 Deg
Release with Optional WHLT-03A = +-25 Deg (May be Hand
Ground to Release from 25 to 50 Deg)

TO SET PRELOAD IN VERTICAL AXLE #7: Be certain #3 & #5 Springs Are
Installed. Seat Lower Nut #6 Fully & Insert Cotter Pin #8. Tighten Upper Nut #5
Slowly Until All Freeplay of Springs is removed and Fork #12 No Longer Rotates
Freely. Loosen Upper Nut #6 1-4 Locking Features and Install Cotter Pin #8. Fork Should
Rotate With Resistance Around Complete Rotation.

MATCO mfg



2361 S 1560 West
Woods Cross, UT 84087

NOMENCLATURE
TAIL WHEEL, 8" PNEUMATIC

PART NUMBER
WHLT-8

SCALE
1:4

TOLERANCES
(EXCEPT AS NOTED)

DRAWN BY
George R. Happ

FINISH
VARIES

DATE
11/10/2016

DRAWING NO.
TAIL/3D-T8

CHECKED BY

REVISION
H

Est Wt. (lb)
6.93

DO NOT SCALE DRAWING
LINEAR .XX = + .03
.XXX = + .01
ANGULAR + 1/2
CONCENTRIC + .01

SHEET 1 OF 1
SHEET SIZE A