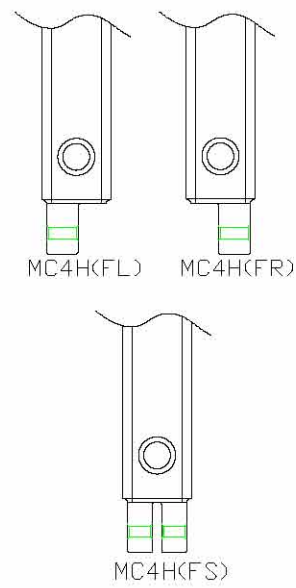
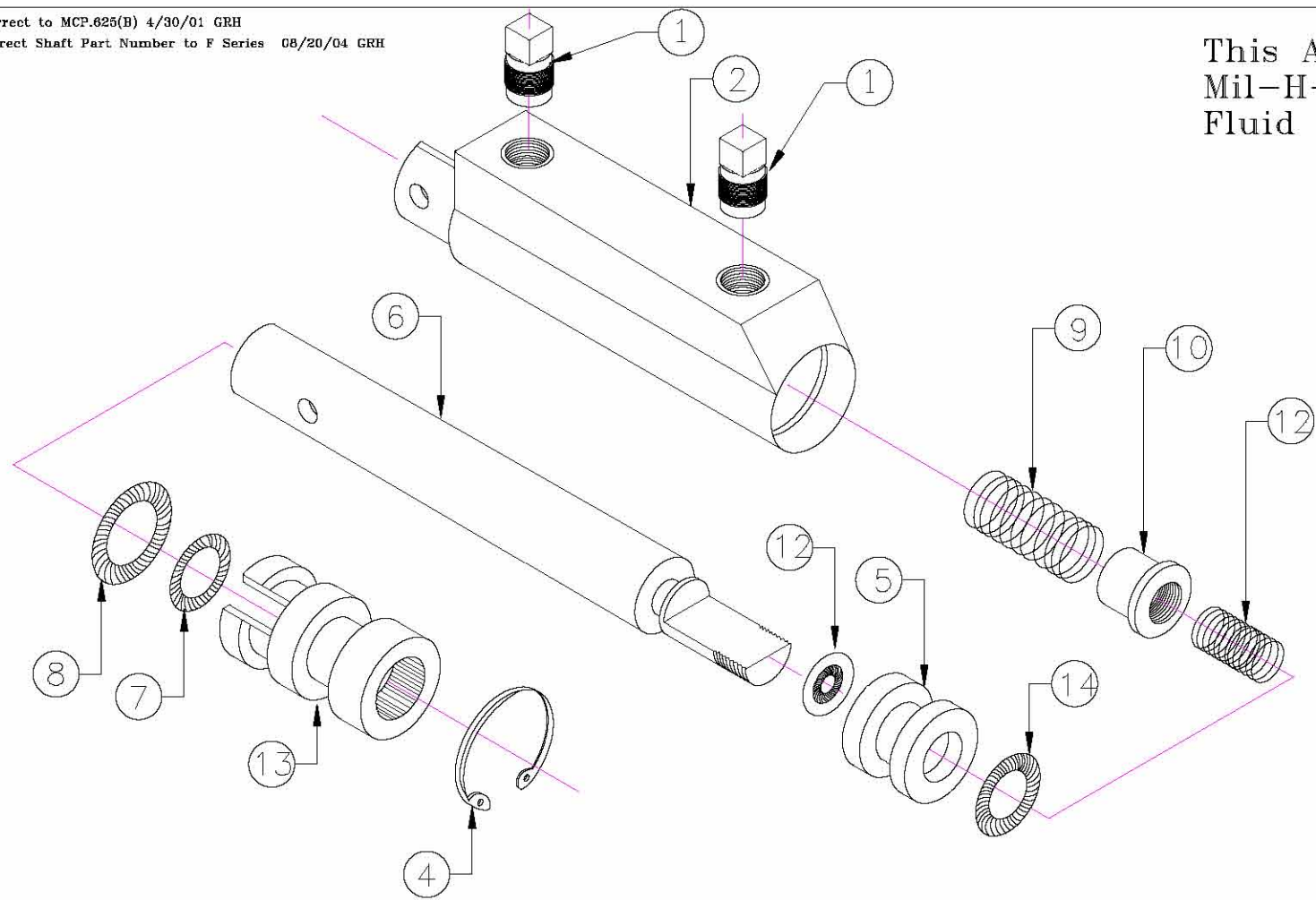


Rev A Correct to MCP.625(B) 4/30/01 GRH  
 Rev B Correct Shaft Part Number to F Series 08/20/04 GRH

This Assembly uses  
 Mil-H-5606 Hydraulic  
 Fluid



NO.	PART NAME	INVENTORY NO.	REQ'D	NO.	PART NAME	INVENTORY NO.	REQ'D	
1	THREADED PLUG	P-18		2	11	VALVE SPRING	C0300-026-0440M	1
2	MC4-F(R,L,S) HOUSING	MC4H(FR,L,S)	1	12	STATO SEAL	600-0101-10	1	
3				13	END GLAND	MC4-2	1	
4	SNAP RING MC-4	3000-X68	1	14	O-RING BUNA N	2-111	1	
5	PISTON	MCP.625(B)	1					
6	SHAFT, MC-4F	MC4F-1	1				1	
7	O-RING BUNA N	2-012	1					
8	O-RING BUNA N	2-112	1					
9	SPRING	C0480-055-3000M	1					
10	SPRING GUIDE	MC-16	1					