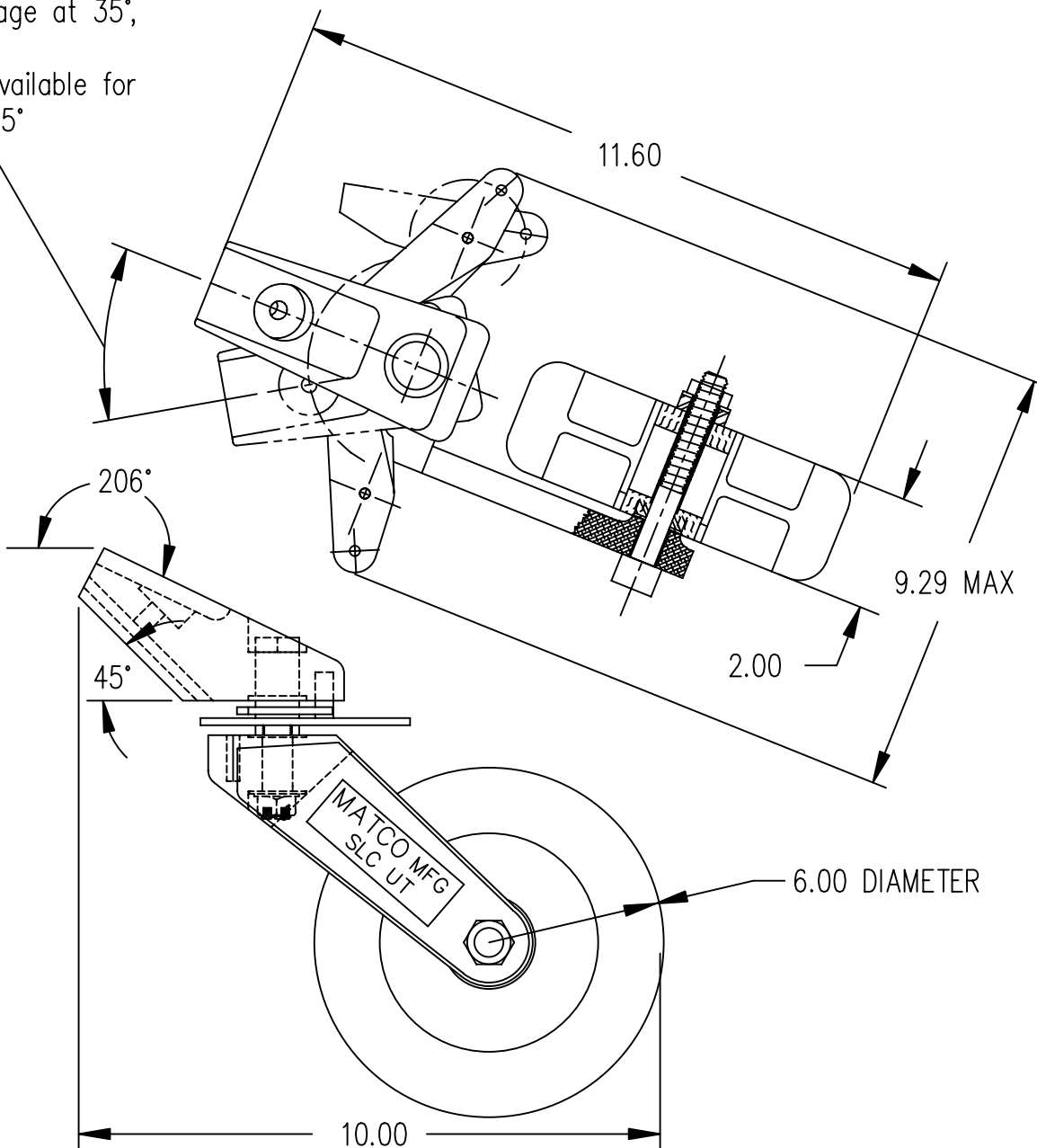
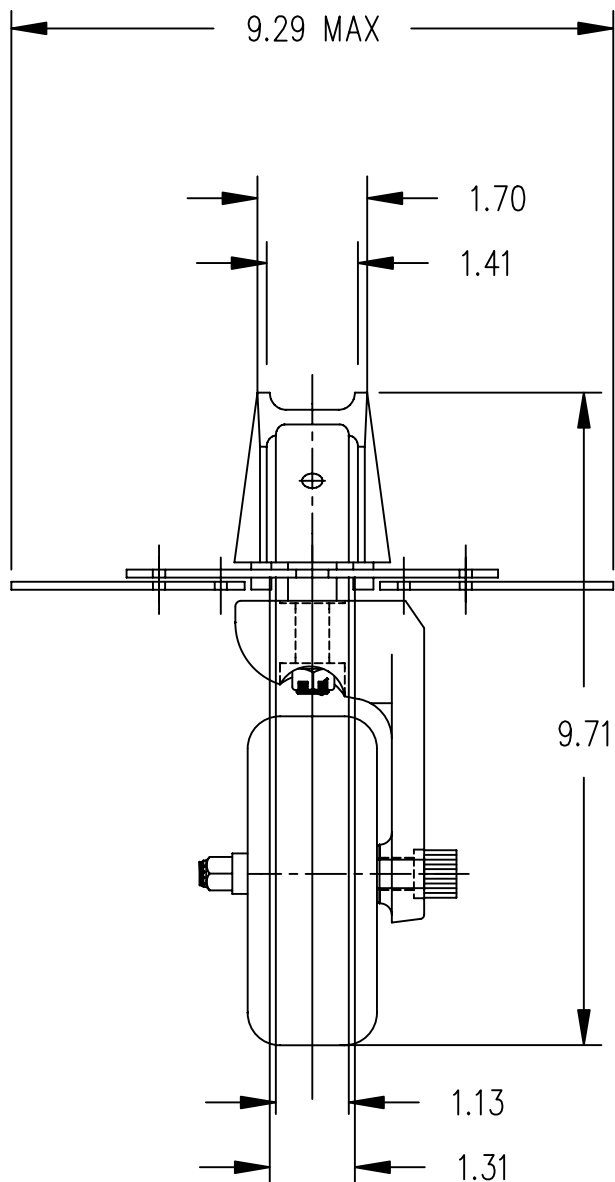


Release pin engage at 35°
 full release 40°
 Alternate arm available for
 full release at 25°



MATCOmfg
 550W 3615 South
 SALT LAKE CITY, UT 84115 (801) 486-7574

PART NO.	T-6
MATERIAL	VARIOUS
DATE	AUGUST 30, 1991
SCALE	1=3
FILENAME	C:\ACAD\TAIL\TWHEAL6