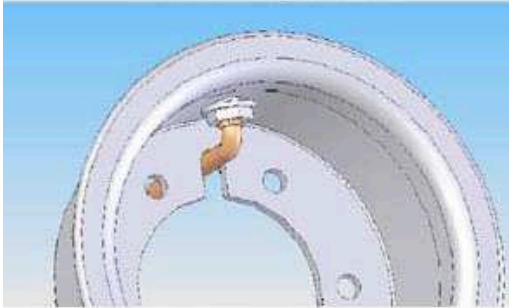
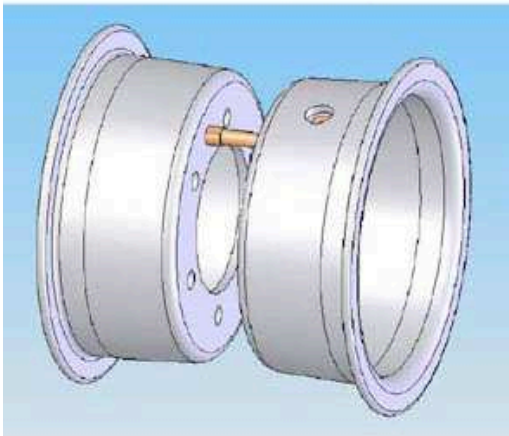


Install Valve Stem Thru Hole in Back Half and Align With Slot



Install Valve Stem Washer (dimple up) & Valve Nut



Insert Stem into Valve Hole in Valve Half & Align Bolt Holes

NOTE: SOME TUBE BRANDS REQUIRE TUBE WASHER TO BE REPLACED WITH AN960-516 WASHER FOR FIT