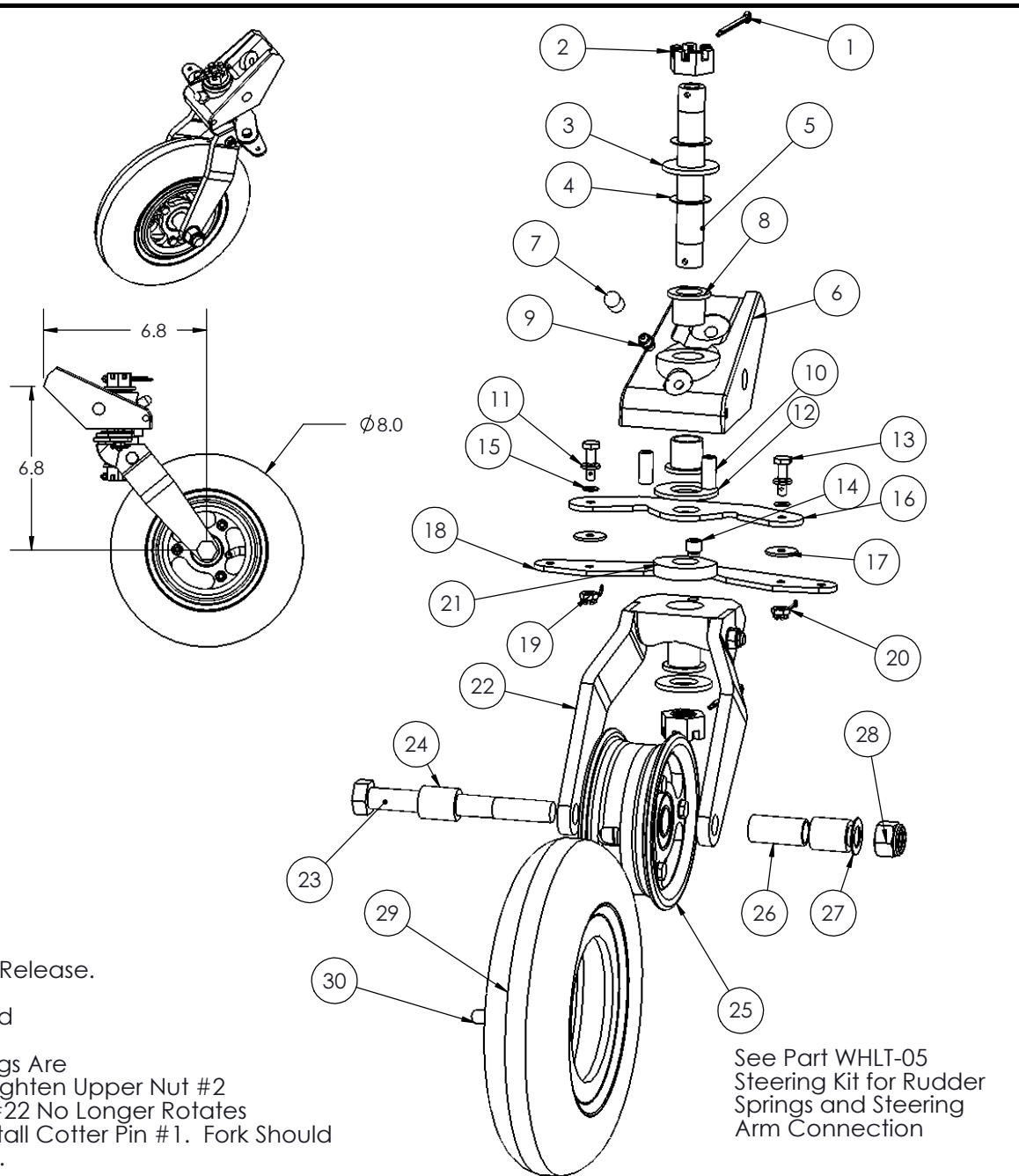


ITEM #	Part Number	Description	QTY.
1	MSC.11x1.5COTTERPI	PIN, COTTER ZINC	2
2	MSC.62-18HEXNUT/SL	NUT, HEX SLOTTED	2
3	MSC.625SAE	WASHER, 5/8	2
4	MSCU625-0210	WASHER, CURVED	2
5	MSC.62-18X4.35(A)	AXLE, VERTICAL TAILWHEEL	1
6	WHLTWBE1.5	BASE, TAIL WHEEL	1
7	MSCVC-250-8	COVER, BLEEDER BLK	1
8	WHLTW-19	BUSHING, HAT	3
9	MSCMC7-4	FITTING, GREASE	1
10	WHLBSP4	SPACER, 4"/UL BRAKE	2
11	MSCAN960-10	WASHER, AN960	4
12	WHLTW-4	WASHER, BRONZE	1
13	MSCAN3-6	BOLT, HEX DRILLED	2
14	MSC.25-20x.50SHCS	BOLT, SHCS .25-20X.50	1
15	MSCB0375-020	WASHER, BELLEVILLE	2
16	WHLT-02	ARM, TAIL WHEEL	1
17	MSC.750x.190x.062W	WASHER, BRONZE	2
18	WHLT-03	Wing, Tail Wheel	2
19	MSCAN310-3	NUT, CASTLE	2
20	MSC.0625X.50COTTER	PIN, COTTER ZINC	2
21	WHLTW-21	BUSHING	1
22	WHLTWD-8LF	ASSEMBLY, FORK T-8LD	1
23	MSC.50-13X4.50HH	BOLT, HEX	1
24	WHLT7DSL	SPACER, T7D	2
25	WHLTW37	WHEEL, TAIL 3.7"	1
26	WHLT6SL	SLEEVE, TAIL T-6P	1
27	MSCAN960-816L	WASHER	1
28	MSC.50-13NYLOCK	NUT, NYLOCK	1
29	TIRT200x50	TIRE, 200x50	1
30	TIRTU200x50	TUBE, 200x50	1



Note: Alternate Wing Available to Provide Earlier Steering Release.

Release with Standard WHLT-03 = +/- 45 Deg

Release with Optional WHLT-03A = +/- 25 Deg (May be Hand

Ground to Release from 25 to 50 Deg)

TO SET PRELOAD IN VERTICAL AXLE #5: Be certain #4 Springs Are

Installed. Seat Lower Nut #2 Fully & Insert Cotter Pin #1. Tighten Upper Nut #2

Slowly Until All Freeplay of Springs are removed and Fork #22 No Longer Rotates

Freely. Loosen Upper Nut #2 1-4 Locking Features and Install Cotter Pin #1. Fork Should

Rotate With Some Resistance Around Complete Rotation.

See Part WHLT-05
Steering Kit for Rudder
Springs and Steering
Arm Connection

MATCO mfg



2361 S 1560 West
Woods Cross, UT 84087

NOMENCLATURE
ASSY. TAILWHEEL 8 LITE

MATERIAL
VARIES

PART NUMBER
WHLT-8LD

DRAWING NO.
TAIL/3D-T8LD

CHECKED BY

SCALE
1:4

REVISION
C

Est Wt. (lb)
5.286

TOLERANCES
(EXCEPT AS NOTED)

DO NOT SCALE DRAWING

LINEAR .XX = + .03

.XXX = + .01

ANGULAR + 1/2

CONCENTRIC + .01

DRAWN BY
George R. Happ

FINISH

DATE
11/10/2016

SHEET 1 OF 1
SHEET SIZE A