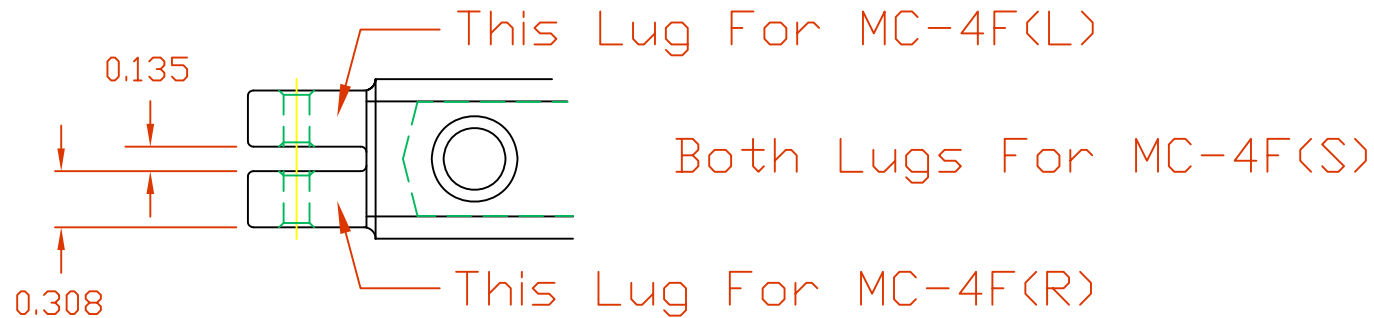
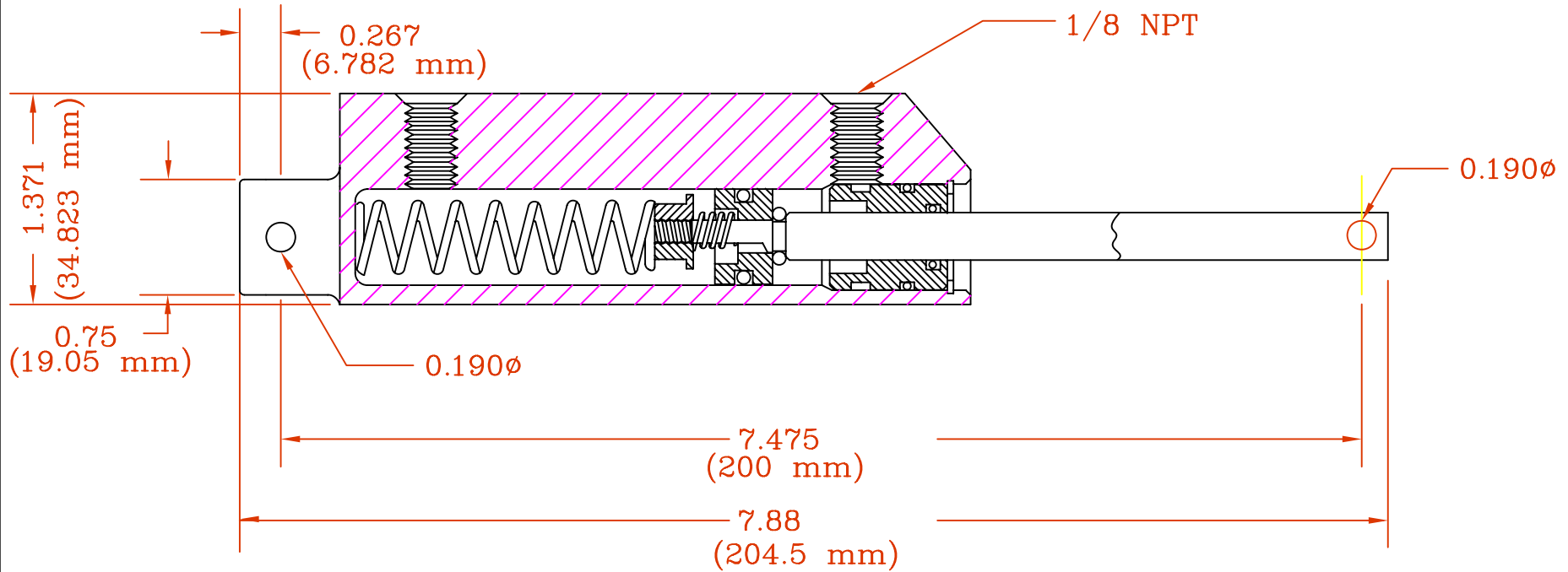


NOTE:

TRAVEL: 1.50 (38.10 mm)



<b>MATCO</b> mfg 2361 S 1560 West	(801) 335-0582 WOODS CROSS, UT 84087	DRAWING TITLE: <b>MC-4F(R,L,S)</b>		DRW. BY: <b>MY KIM</b>		SCALE: <b>1=1</b>	
		FILE NAME: <b>CM-3B</b>		DATE: <b>MAY 25, 1993</b>		CK. BY: <b>SHEET# 1 OF 1</b> REVISION <b>A</b>	