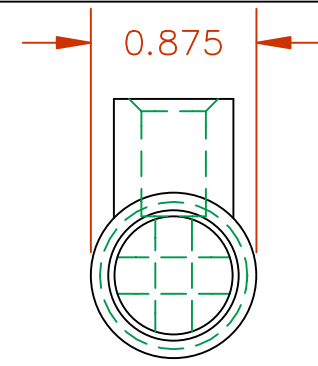
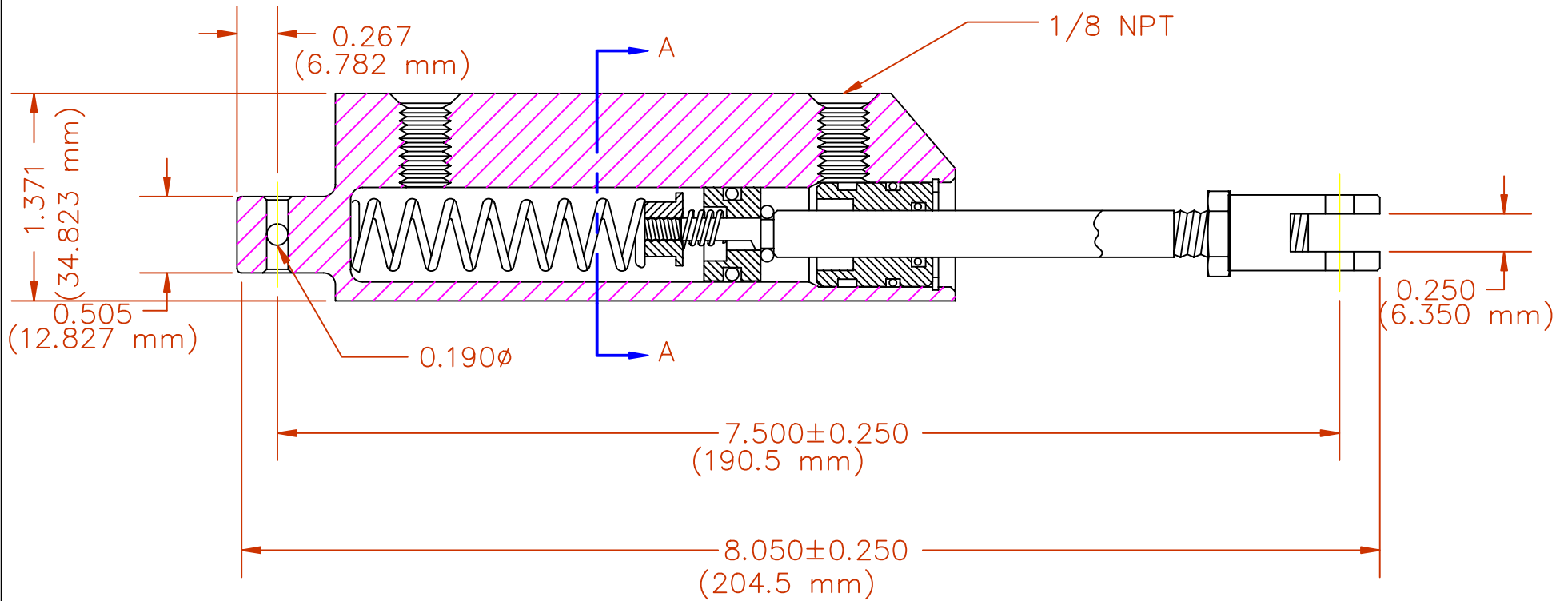


NOTE:

TRAVEL: 1.50 (38.10 mm)



SECTION A-A



MATCO mfg
2361 S 1560 West

(801) 335-0582
WOODS CROSS, UT

DRAWING TITLE: **MC-4**
FILE NAME: **CM-3B**

DRW. BY: MY KIM
DATE: MAY 25, 1993

SCALE: 1=1
CK. BY: SHEET# 1 OF 1

REVISION
A