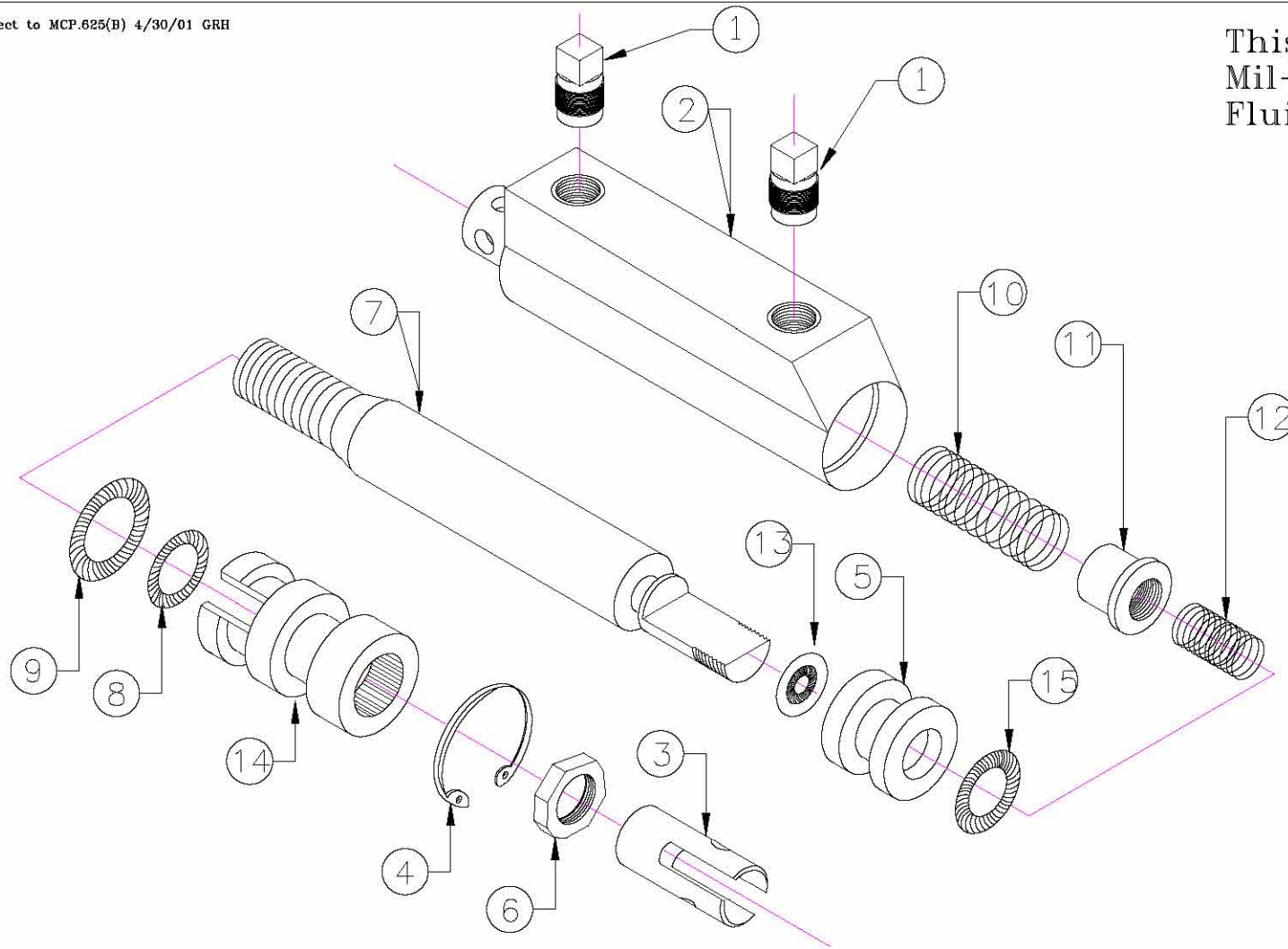


This Assembly uses
Mil-H-5606 Hydraulic
Fluid



NO.	PART NAME	INVENTORY NO.	REQ'D	NO.	PART NAME	INVENTORY NO.	REQ'D	
1	THREADED PLUG	P-18		2	11	SPRING GUIDE	MC-16	1
2	MC-4 HOUSING	MC4H(A)	1	12	12	VALVE SPRING	C0300-026-0440M	1
3	CLEVIS	MC-17	1	13	13	STATO SEAL	600-0101-10	1
4	SNAP RING MC-4	3000-X68	1	14	14	END GLAND	MC4-2	1
5	PISTON	MCP.625(B)	1	15	15	O-RING BUNA N	2-111	1
6	JAMNUT	.31-24JAMNUT	1					
7	SHAFT	MC4-1	1					
8	O-RING BUNA N	2-012	1					
9	O-RING BUNA N	2-112	1					
10	SPRING	C0480-055-3000M	1					